

## DELTA3 INLINE

Delta3 Inline is a powerful centrifugal spark arrestor that delivers unbeatable spark control with exceptionally low pressure drop.

- Industry-leading spark control and safety
- Lower pressure drop for energy savings
- Easy inline installation
- High-quality welded construction



### Additional Resources & Downloads (click image to retrieve material)



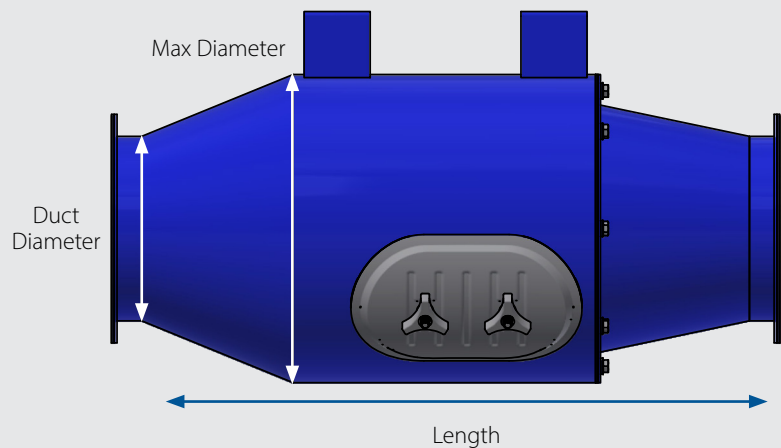
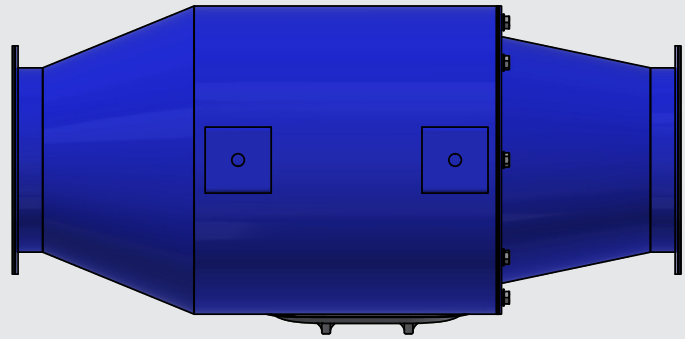
Product Video



Product Flier

**Disclaimer:** Dimensions and CFM shown here for each part number are for demonstrative purposes only. Please consult your RoboVent Solutions Director and the engineering department for specific sizing details of your Delta3 Inline Spark Arrestor.

### Specifications



Duct Diameter	Max Diameter	Length Flange	Length Quick Flange	CFM min/max	RV Part #*
8"	14"	30"	33"	960 1,466	D3-08-IL
10"	16"	36"	39"	1,500 2,291	D3-10-IL
12"	20"	42"	45"	2,160 3,299	D3-12-IL
14"	22"	48"	51"	2,940 4,490	D3-14-IL
16"	26"	54"	57"	3,840 5,864	D3-16-IL
18"	28"	60"	63"	4,860 7,422	D3-18-IL
20"	32"	66"	69"	5,999 9,163	D3-20-IL
22"	34"	72"	75"	7,259 11,087	D3-22-IL
24"	38"	78"	81"	8,639 13,194	D3-24-IL

\*If quick flange configuration is needed, add QF to the end of the part number.