

### MODEL

## HVE-175-80-1

**Filter Cartridges:** (1) EX-14D26-A15-SF

**Media Area:** 256 sq. ft.

**Weight:** 565 lbs. (excluding options)

**Regenerative Blower:** 4HP Single Stage K06-MS

**Maximum Airflow:** See capacity chart

**Maximum Vacuum:** -76in WG

**Voltage and Current:**

400V, 3-Phase, 50 Hz, 6.38 FL Amps

**Intake:** 3-inch Diameter Air Inlet

\* Weight does NOT include Intakes or any custom options that may be added. For project specific weights, contact the Engineering department.

### Standard Equipment:



**eTell™ Intelligent Controls:** Forget about your dust collectors. These cloud-based, smart controls predict and optimize filter life and notify you when maintenance tasks need to be performed.

**Motor Controls:** Motor Starter, Overload and Disconnect all included in controls system, only connection to power supply required, making installation simple and fast

**Automatic Filter Cleaning System:** Pulse solenoid valve, nozzle, and air tank, with associated pressure differential sensor, enables the responsive filter cleaning in relation to level of accumulated dust, to save air consumption, energy costs, and increase filter life

**Blower Inlet Flow Relief Valve:** Prevents harmful overpressure developing at the blower if flow becomes obstructed, preventing damage to the blower

**Heavy Duty Construction:** Fully welded 11 gauge steel, Polyester powder coat inside and out, enhances plant aesthetics and provides excellent equipment durability

**HDH Hopper:** Hopper and duct Inlet all-in-one with dropout feature to protect filters from larger debris. 20-gallon containment.

**Vertical Filter Design:** Filters load evenly and easily shed dust right into the containment area, increasing media usage, effectiveness and filter life.

**Exhaust Silencing:** Blower muffler minimizes generated noise and increases operator comfort (10 to 15 dB(A) sound level reduction approx.)

### Options:

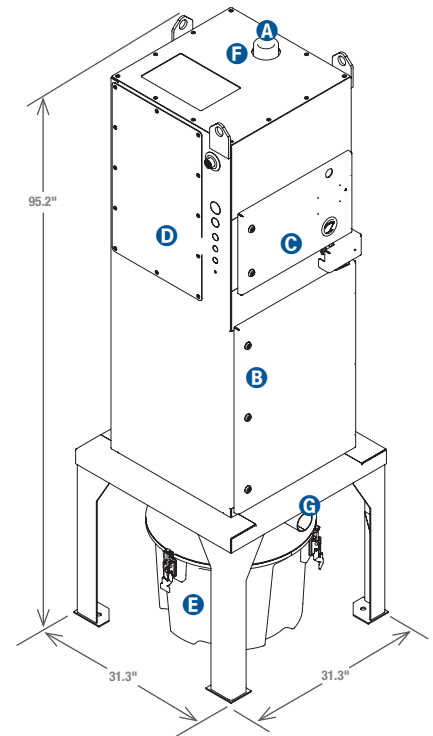
**AutoSaver™:** Automatic On/Off feature that reduces energy costs by running the filtration system ONLY when welding / cutting system is operating

**Voltage Upgrades:** 208, 230 or 575 Volts

### Filter Options:

- Endurex M11: Merv 11 Filters
- Endurex D12: Merv 12 Filters (for oily applications)
- Endurex W13: Merv 13 Filters
- Endurex B16: Merv 16 ePTFE Filters
- Endurex H17: Merv 17 ePTFE Filters

- A** Clean Air Exhaust
- B** Filter Access Door
- C** Motor (enclosed)
- D** Compressed Air & Solenoid Access
- E** Hopper & Short Drum
- F** Additional Silencer
- G** Air Inlet (3" Diameter)



HDH Hopper

### Airflow Capacity Chart:

