

### HVE-350-80-1

**Filter Cartridges:** (1) PL-14D36-A15-SF

**Media Area:** 322 sq. ft.

**Weight:** 1,300 lbs.\*

**Regenerative Blower:** 10HP Single Stage

**Maximum Airflow:** 350 CFM

**Maximum Vacuum:** -81in WG

**Voltage & Current:** 480V, 3-Phase, 60Hz, 14.3 FL Amps

**Intake:** 4-inch Diameter Air Inlet

#### Standard Equipment Features

**Motor Controls:** Motor Starter, Overload & Disconnect all included in controls system, only connection to power supply required, making installation simple and fast

**Automatic Filter Cleaning System:** Pulse solenoid valve, nozzle, & air tank, with associated pressure differential sensor, enables the responsive filter cleaning in relation to level of accumulated dust, to save air consumption, energy costs & increase filter life

**Blower Inlet Flow Relief Valve:** Prevents harmful overpressure developing at the blower if flow becomes obstructed, preventing damage to the blower

**Heavy Duty Construction:** Fully welded 7 & 11 gauge steel, Polyester powder coat inside & out, enhances plant aesthetics & provides excellent equipment durability

**HDH Hopper:** Hopper & duct Inlet all-in-one with dropout feature to protect filters from larger debris. 20-gallon containment.

**Vertical Filter Design:** Filters load evenly and easily shed dust right into the containment area, increasing media usage, effectiveness & filter life.

**Exhaust Silencing:** Blower muffler minimizes generated noise & increases operator comfort (10 to 15 dB(A) sound level reduction approx.)

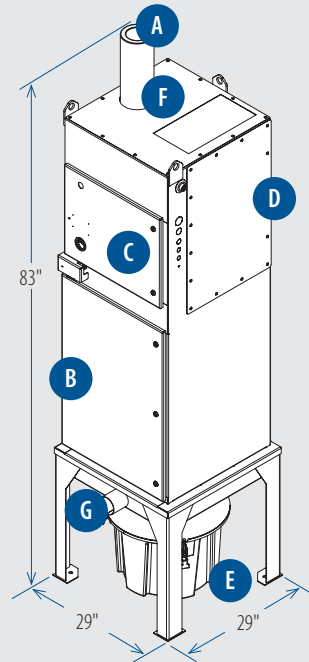
**eDrive™:** Built-in VFD adjusts to compensate for filter loading, only connection to power supply required, making installation simple & fast

**ePad Controls:** A simple, integrated control system at your fingertips

**PleatLock A15 Filters**

**Snaplock Filter Clamps**

- A Clean Air Exhaust
- B Filter Access Door
- C Motor (enclosed)
- D Compressed Air & Solenoid Access
- E Hopper with 20-Gallon Drum
- F Exhaust Silencer
- G Air Inlet (4" Diameter)



#### Optional Equipment Features

**AutoSaver™:** Automatic On/Off feature that reduces energy costs by running the filtration system ONLY when welding/cutting system is operating

**Filter Options:**

- Pleatlock M11: Merv 11 Filters
- PleatLock A15: Merv 15 Filters
- Endurex B16: Merv 16 ePTFE Filters

**Voltage Upgrades:** 208, 230 or 575 Volts

**Acoustical Attenuation:** Stack silencer uses acoustical silencing technology to reduce motor and airflow noise

**Delta3™ Spark Arrestor:** Superior spark arresstance for welding, grinding & metal cutting applications that enhances safety & protection from fire

**FlexTrac:** For robotic welding, FlexTrac is attached directly to the robot arm to collect weld fumes right at the source

**Safe Sensor:** An advanced particulate-monitoring device that detects leaks past the filters, shutting down equipment

**Flex Hose**

**FM 200 Fire Suppression System**

**Metal Mesh Filter**

**Sprinkler Heads**

**HDH Hopper 55-gallon containment**

**Barrel Level Sensor**

**Custom Color**

**eMaster Facility Controls**

**HEPA Filters**

\*Weight does NOT include Intakes or any custom options that may be added. For project specific weights, contact the Engineering department.

This system is covered by one or more of the following patents: #6,758,875; #4,610,704 and other patents pending. Due to continued engineering, all specifications are subject to change without notice. ©2018 RoboVent Product Group, Inc. 02/2018