

RDC-6X6-36C

Dimensions w/ intake(s): 162D" x 126W" x 135H"

Base Weight: 11,144 lbs.

Includes base collector, HLL & intake(s)

Equipment

Video Link

Controls: ePro 7" touchscreen for ease of use.



Heavy Duty Construction: Fully welded 7 & 11 gauge steel



Pulsing System: 23 SCFM



Filter Design: Included as standard to improve filter life and reduce energy consumption



Blower/Motor Combination: designed for energy efficiency

SafeSensor Particulate Monitor: detects leaks past the filters

Air Intake: reduces airspeed allowing heavy dust to fall away from filters



Warranty: 15 years on the cabinet; 5 years on components *(See warranty document for details)*

Fire Suppression (optional): CO₂, water



Built-in Stack Silencer (optional): for quiet operation

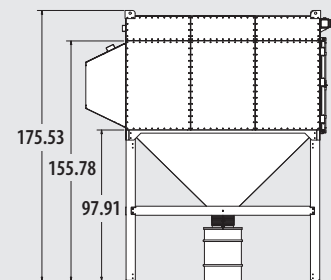
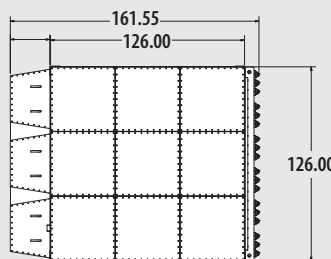
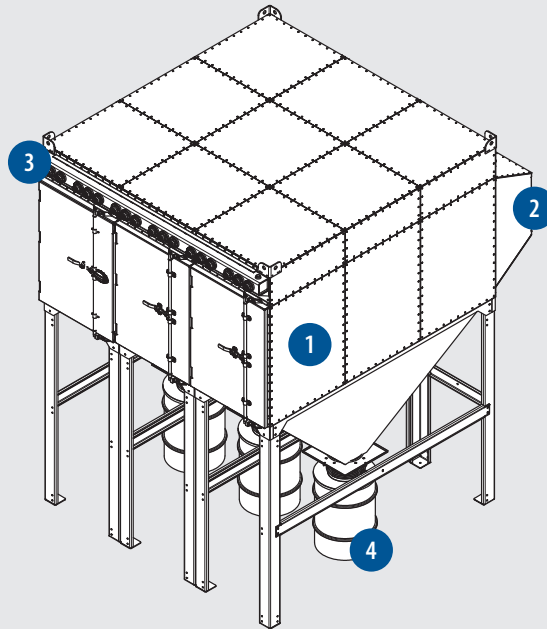
After Filters (optional): HEPA or active carbon



Explosion Vent (optional): part of a complete NFPA package



Specifications



- 1 Filter Cabinet Assembly
- 2 Air Intake
- 3 Advanced Pulsing System
- 4 Dust Containment Bin
- 5 SafeSensor Particulate Monitor

Part No.

Qty.

Configuration

CFM @ "SP*

PL A:C

EX A:C

Motor

SH-25-2084-ACF-3550-TM	(1) 25 HP • 20 @ 84%		7,000 @ 15.0	N/A	0.9:1
SH-40-2272-ACF-3550-TM	(1) 40 HP • 22 @ 72%		10,000 @ 15.0	0.6:1	1.3:1
SH-50-2286-ACF-3550-TM	(1) 50 HP • 22 @ 86%		12,000 @ 15.0	0.7:1	1.6:1
SH-75-2476-PLR-3550-TM	(1) 75 HP • 24 @ 76%		18,000 @ 15.0	1.1:1	2.4:1
SH-75-4061-ACF-1880-TM	(1) 75 HP • 40 @ 61%		24,000 @ 15.0	1.4:1	2.9:1
SH-75-2476-PLR-3550-TM	(2) 75 HP • 24 @ 76%		36,000 @ 15.0	2.2:1	N/A

(Usable static)

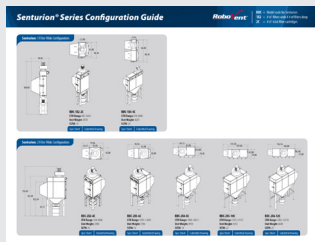
Required Selections	Item Description
Intake Options	
RDC-IT-06	Senturion 6 Wide Standard Intake
RDC-AB-06	Senturion 6 Wide Abrasive Intake*
*Must mount on IT Standard Intake	
Containment Options	
RDC-HSL-6X6-36C	Senturion 36-Cartridge 20-Gal Hopper & Legs (adds 80" to base height)
RDC-HLL-6X6-36C	Senturion 36-Cartridge 55-Gal Hopper & Legs (adds 98" to base height)
Filter Option	
PL-14D52-M11-SF21-36	Pleatlock M11 Cartridge Filters (MERV 11)
PL-14D52-A15-SF21-36	Pleatlock A15 Cartridge Filters (Nano MERV 15)
EX-14D52-B16-SF21-36	Endurex B16 Cartridge Filters (PTFE MERV 16)
Controls Mounting	
RDC-CTRL-GM	Ground Mounted Control Panel
RDC-CTRL-CM	Collector Mounted Control Panel
RDC-CTRL-WM	Wall Mounted Control Panel
480v & 575v Whip Options (1 Required per Motor)	
15' & 30' Length Available	

Options	Item Description
After Filters	
RDC-HEPA-6X6	Senturion 36-Cartridge Top Mount Pre-Blower HEPA Filter (adds 40" to base collector height)
RDC-CARBON-6X6	Senturion 36-Cartridge Top Mount Post-Blower Carbon Filter
Fire Suppression	
RDC-SPKLR-6X6-36C	Water Sprinkler System
RDC-CO2-6X6-36C	CO ₂ System w/ Intake Damper FM200 Fire Suppression System w/ Intake Damper*
*Consult with Engineering for FM200 solutions over 16 cartridges	
Service Platform	
Senturion 6-Wide Service Platform (Includes rails, gate(s) and ladder)*	
*Adds 65" to door side of collector	
NFPA Options	
	ST1 NFPA Standard Package*
	ST2 NFPA Standard Package*
*Requires selection of HLL option. Includes RAL, explosion vents & controls	
Options and Upgrades	
CMR-20	AutoSaver Sensor
SSG-DTS	SuperSeal Hopper Gate
BLS-110	Barrel Sensor (requires RDC-CTRL-EX)
RDC-CTRL-EX	Controls Expansion Module (required for BLS or summer/winter dampers)

Additional Resources and Downloads (click image to retrieve material)



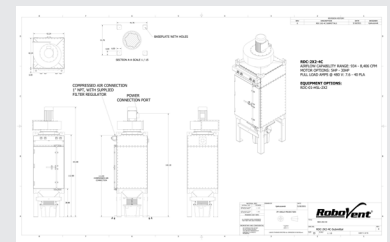
Owner's Manual



Equipment Configurations



Product Video



Submittal Drawing