

Equipment Specifications

Model Name & Number: Spire Series | MLS-02-06
Dimensions: 46.5"D x 52"W x 127.5"H (approx. footprint)
Weight: 2,308 lbs. (approx.)
Media Area: 1,278 ft²
Filter Cartridges: (6) PL-12D26-A15-OC-DBG
Voltage: 480V@14 Amps
Compressed Air Requirements: Dry – 11 SCFM@85 Psi

Standard Features



Control Panel: A RoboVent Control System that controls the Blower and Pulsing functions through an easy to understand Interface.

SafeSensor™: Advanced particulate-monitoring device detects leaks past the filters. If one should occur, SafeSensor will shut down the equipment, trigger an alarm and set off a strobe light.

A15 PleatLock Filters: Blended non-woven, MERV 15 media with optional nanofiber technology to provide maximum efficiency.

Variable Frequency Drive (VFD): Automatically adjusts motor speed to maintain airflow based on system pressure differential and reduce energy cost by up to 30%.

High Performance Acoustical Silencing

Heavy Duty Construction: Fully welded 7 and 11 gauge steel

UL & CSA Listed Controls

Warranty: 15 years on the cabinet; 1 year on parts.
(See warranty document for details)

Optional Features

Fire Suppression CO₂ & Sprinkler Port: A completely engineered fire suppression system activated by heat, creating a safer work environment.

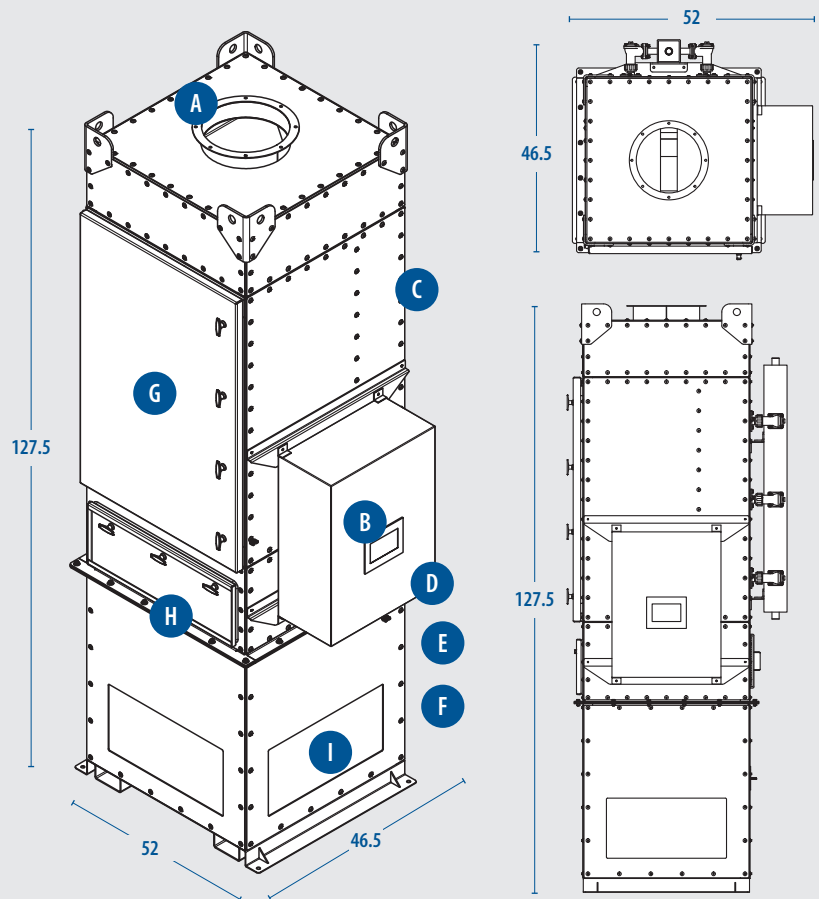
AutoSaver™: The Auto On/Off feature that reduces energy costs by running the filtration system ONLY when the welding system is turned on.



Delta3™ Inline Spark Arrestor:

Superior spark arrestance for welding, grinding and metal cutting applications.

Specifications



- A** Duct Inlet
- B** Control Panel
- C** Pulse Valve (on back)
- D** Electrical Enclosure
- E** SafeSensor (on back)
- F** Motor Access (on back)
- G** Filter Door
- H** Dust Tray (14 Gal.)
- I** Exhaust Air Outlet

Motor/Blower Configuration	CFM@IN S.P.	Air to Cloth Ratio	F.L. Amps @ 480V
(1) 10 HP 18" @ 38%	3,300 @ 9" WG	2.6:1	14

This system is covered by one or more of the following patents: #6,758,875; #4,610,704 and other patents pending. Due to continued engineering, all specifications are subject to change without notice. ©2023 RoboVent 12/2023