

VENT BOSS[®]
by *RoboVent*[®]

OWNER'S MANUAL

Installation, Operation & Maintenance

SERIES 100 TOUGH PORTABLES

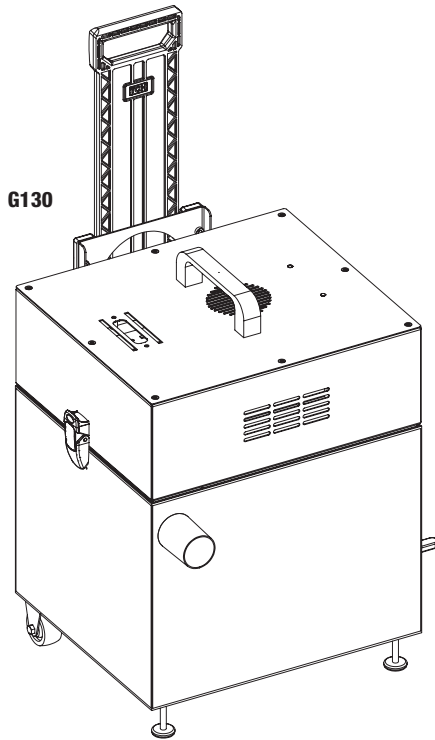


MODEL
G130



OWNER'S MANUAL

Installation, Operation & Maintenance



Manufactured by:

RoboVent

37900 Mound Road Sterling Heights, MI 48310 USA

(855) 558.VENT www.ventboss.com

©2015 RoboVent Product Group, Inc. All rights reserved.

CONGRATULATIONS!

Dear Customer,

Thank you for purchasing a VentBoss product. This manual will help you use the many features available to customize the unit to your specific welding needs.

At VentBoss we are committed to making your facility a safe and healthy environment for your workers. Please take time to read this manual thoroughly before installing and operating the unit.

When your VentBoss needs scheduled maintenance, keep in mind that VentBoss has specially trained staff in servicing our equipment. If you would like to schedule service, or if you have a question or concern regarding your VentBoss product, please contact us at:

(855) 558.VENT or **customer.service@ventboss.com**.



TABLE OF CONTENTS

Important Safety Instructions Section 100 Page 6

Features of the G130 Section 200 Pages 7-8

Receiving & Inspection Section 300 Page 9

Operation Section 400 Page 10

Maintenance Section 500 Page 11

Parts List Section 600 Page 12

IMPORTANT SAFETY INSTRUCTIONS



Failure to follow all instructions may result in electric shock, bodily injury and/or destruction of the unit



Use of controls, adjustments, or performance of procedures other than those specified herein, may result in electrical shock.

IMPORTANT SAFETY INSTRUCTIONS

1. Read all instructions thoroughly.
2. Heed all warnings.
3. Do not block intake or exhaust vents. Keep the exhaust vent free from debris and materials that could restrict airflow. Prolonged restriction could damage the motor and electrical components. Any blockage of the air flow will decrease efficiency of this unit.
4. Refer all service matters to qualified service personnel. Servicing is required when the unit is damaged in any way including the control panel, supply wiring or in the case of excessive filter loading.
5. **Risk of serious injury or death!** Use extreme care to make sure you are never in a position where your body (or any item you are in contact with, such as a screwdriver or test instrument) can accidentally touch the blower wheel.
6. **Disconnect power before working on the motor or blower wheel. The motor or blower wheel should be disassembled only by a factory authorized technician.**



SECTION 200 FEATURES OF THE G130



FIGURE 1



FIGURE 2



FIGURE 3



FIGURE 4

- 1. Filtration System:** The VentBoss Model G130 portable fume collector is for use in intermittent duty or light production applications. The heavy duty construction and versatility of the VentBoss puts it at the front of its class of portable air cleaners.
- 2. Vertical Filter Design (Standard):** Vertically aligned filters allow the dust to shed off the filter and fall directly down into the containment system. The unique vertical design increases filter life by 30% to 40% over traditional horizontal filter placement.
- 3. Simple Controls:** The VentBoss G130 Portable is easy to use. Power up with the manual on/off switch and monitor filter condition with the built-in minihelic gauge. Figure 1.
- 4. Easy Access “Easy Load” Filter System:** For your convenience the VentBoss Series 100 Portable is designed with a top load filter system, which allows the filter to be removed in seconds. Figure 2.
- 5. Handle and Wheels:** The VentBoss Series 100 Portable comes standard with two wheels and a handle for job site portability. Figure 3.
- 6. High Performance Blower:** The tangential blower is the heart of the VentBoss Series 100 Portable. This extra long life, high pressure 1700 watt motor with tangential blower is engineered for high output air volume.
- 7. Premium Grade A15 Filter:** A premium grade A15 Filter (Figure 2) comes standard with each VentBoss Series 100 Portable which contributes to its high efficient filtration. This durable filter can be back pulsed by connecting an air source to the ball valve at the bottom front of the unit (Figure 4) or removed and cleaned with compressed air to deliver hours of filtration.

SECTION 200
FEATURES OF THE G130 (continued)



FIGURE 5

- 8. Heavy Duty Construction:** Unlike most portables, the VentBoss Series 100 Portable is made from heavy 12 and 16 ga steel. Seams are robotically welded to assure there are no leaks or cracks that could contaminate the facility air system.
- 9. Built-In Spark Arrestance:** The VentBoss G130 includes built-in spark arrestance with a removable and washable metal pre-filter where sparks are trapped and prevented from passage to the filter cartridge.
- 10. Extraction Hose:** The VentBoss G130 includes a 15' x 2" diameter flex hose and flared cone with magnetic base attachment for quick and easy positioning for effective fume extraction. Figure 5
- 11. Durable Powdercoat Finish:** For long lasting durability the VentBoss Series 100 Portable is fully powder coated with an industrial grade textured finish.

Receiving

VentBoss equipment is typically shipped on skids or in crates. The number of skids/ crates will vary, depending on the type, size and accessories ordered. These skids/ crates are too heavy to lift by hand, and will need to be unloaded by an industrial forklift or similar equipment.

Inspection

A visual inspection of your equipment should be performed before it is removed from the truck. Dents, scratches, and other damages should be noted on the shipping documents, and also photographed. The structural integrity of the housing can be adversely affected by large dents. VentBoss should be immediately notified of any structural damage to your equipment. It is the purchaser's responsibility to file shortage reports and damage claims with the carrier and with your VentBoss Representative. The carrier is responsible for any damage to the equipment while it is in transit unless specific arrangements are made otherwise.

Compare the number of items received against the carrier's bill of lading. Inspect all items for apparent damage. Immediately report any shortages or obvious damage to the carrier and to your local VentBoss Representative, call the factory at 1 (855) 558.VENT, or email: customer.service@ventboss.com.

When all skids are completely unpacked and uncrated, check all items received against the packing lists. Further inspect the unit and components for hidden damage. Again, report any shortage or damage to the carrier and to your local VentBoss Representative.

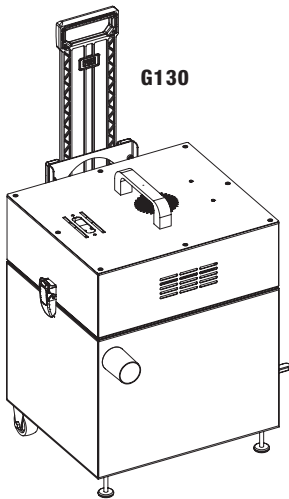
The filter cartridges are typically shipped installed in your collector. Be sure to check them for alignment, as they may have shifted during transit. If they have shifted, it is possible that damage may have been done. Remove all filter cartridges and inspect thoroughly.

Note: Do not return any damaged components without first contacting your VentBoss Representative to obtain a Returned Goods Authorization (RGA).

Small Parts

Carefully inspect all packing material before it is discarded, to be sure that no small parts have been missed.

SECTION 400 OPERATION



The VentBoss G130 Portable is a compact portable fume extractor that provides convenient mobility in a small but powerful package. The G130 plugs into a standard 120 volt 20 amp outlet and comes with a 15' long by 2" diameter flex hose. Various hood and nozzle combinations are available for the G130 for source capture along with several sized Fume Guns. The VentBoss G130 will support one smokeless fume gun.

GENERAL OPERATION

The core of the VentBoss G130 Portable is the industrial 1700 watt high efficiency motor with tangential discharge. The extra long life high performance blower generates up to 110" WG pressure to run one smokeless fume gun or any one of the accessory hoods.

When using a hood or nozzle place the attachment as near to the welding operation as possible. Placing the hood slightly upward will aid in smoke capture.

The VentBoss G130 Portable comes pre-assembled for immediate use. Please go through the packing list to make sure you have all the required parts. The cartridge filter and spark arrestance filters and baffles are already installed inside the unit.

Before using your VentBoss G130, please check the following:

1. Make sure the latch on the G130 Motor/Cartridge Plenum is secured.
2. Connect the flex hose to the inlet nozzle and secure.
3. Connect the proper nozzle or accessory to the end of the flex hose.
4. Make sure the G130 is plugged into a dedicated 20 amp 120 volt @ 60 Hz. outlet.

SECTION 500

MAINTENANCE

Replacing the Filter Cartridge

The durable, high grade A15 filter of the VentBoss G130 Portable can be back pulsed by connecting an air source to the ball valve at the bottom front of the unit (see Figure 4) or removed and cleaned with compressed air to deliver hours of filtration. If the unit still does not draw sufficiently, then replace the filter by releasing the front latch and carefully removing the dirty filter.

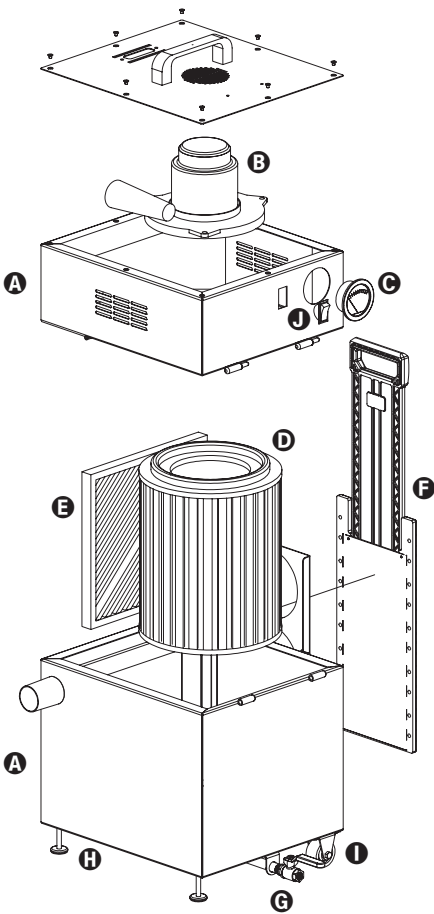
Replacing the Metal Spark Arrestor

The metal spark arrestor should be removed and cleaned on a regular basis depending on usage. If particulate builds up on the baffle the risk of fire in the system is greatly increased. When the filter is dirty it should be removed and cleaned with a hot detergent solution. If the filter becomes bent or deformed beyond repair it should be replaced.

DO NOT replace the metal spark arrestor with anything other than what was originally installed in the VentBoss G130. Failure to do so will greatly increase the risk of fire.

Replacement filters may be ordered by calling VentBoss at 1-855-558-VENT.

SECTION 600
Parts List



Part #	Description
A V-DLMP-150-1-CAB	Cabinet
B HPB-8-120	Motor/Blower
C MHG-60	Minihelic Filter Gauge 0"-100"
D EX-10D12-A15	Amber15 Filters (Nano MERV 15)
E MM-12121	Metal Mesh 12" x 12" x 1"
F FPC-CH	Collapsible Handle
G PLUMB-029	3/8" Ball Valve
H FPC-LFP	Leveling Foot Pad
I WHEEL-001	2" Rigid Caster Wheel
J ELEC-018	Electrical Part; On/Off Switch

VENTBOSS[®]
by **RoboVent[®]**

37900 Mound Road Sterling Heights, Michigan 48310 USA
855.558.VENT • WWW.VENTBOSS.COM