

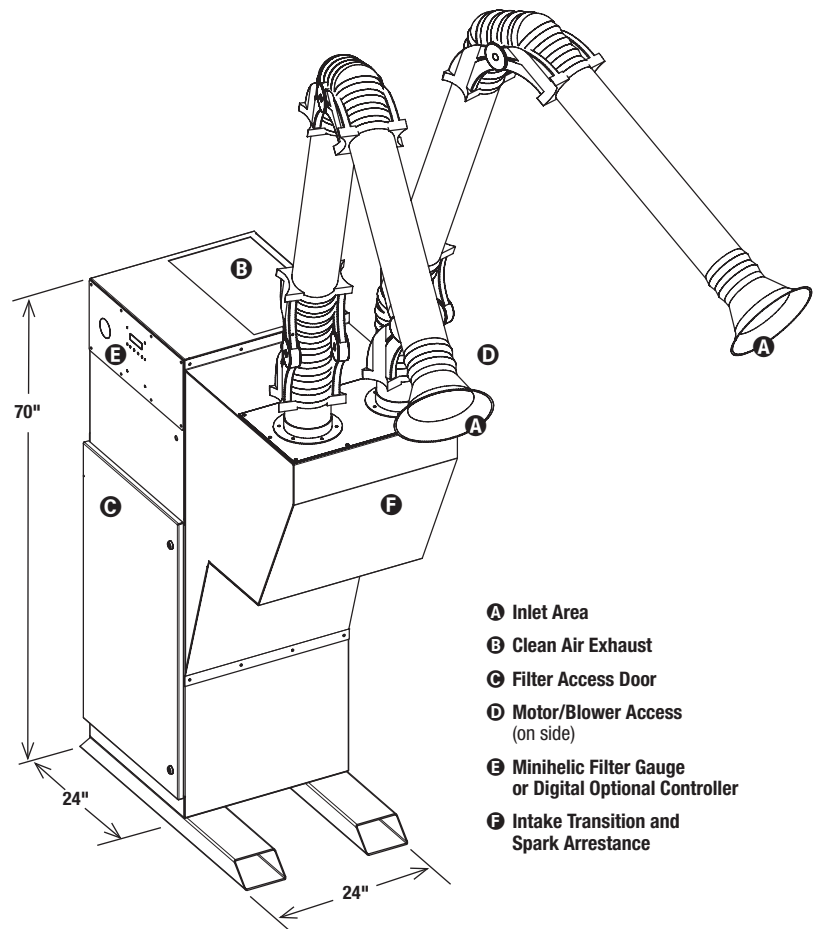
MODEL
S313



Maximum filter life will be achieved with this product when one or two welders are welding up to 75 pounds of weld wire per week.



- Capacity:** 1500 CFM @ 4.5 in.W.G.
- Motor:** 2HP, Direct Drive
- Voltage:** 3 Phase, 480V, 60Hz
- Full Load Amps:** 3.4
- Blower:** Reverse inclined high performance blower wheel
- Sound Level:** 72 dBA
- Silencing:** Integral Acoustical Plenum with Low Frequency Dampening
- Controls:** Manual on/off switch, Minihelic Filter Condition Gauge
- Cabinet Dimensions (HxLxD):** 70" x 24" x 24"
- Weight:** 370 lbs.
- Filter Cartridge:** (1) PL-14D36-A15-SF
- Filter Media Area:** 320 sq. ft.
- Filter Type:** Nanofiber MERV15
- Filter Cleaning:** On board compressed air tank, manual activated push-button filter pulse cleaning, 1/2"NPT compressed air connection
- Dust Containment:** Vacuum / sweep out filter plenum
- Spark Arrestance:**
(1) FB-24242, (1) MM-24242
- Configurations:**
 - S313: Floor Mount with (2) 6" x 10' Fume Arms
- Options:**
 - CSA Certification — CSA-100
 - UL Certification — Contact Customer Service
 - HEPA Filter — HP-S310
HEPA Frame — HFR-S310
 - Other Voltages: 230V or 575V
- Warranty:**
Visit ventboss.com/terms for full warranty details.



- A** Inlet Area
- B** Clean Air Exhaust
- C** Filter Access Door
- D** Motor/Blower Access (on side)
- E** Minihelic Filter Gauge or Digital Optional Controller
- F** Intake Transition and Spark Arrestance